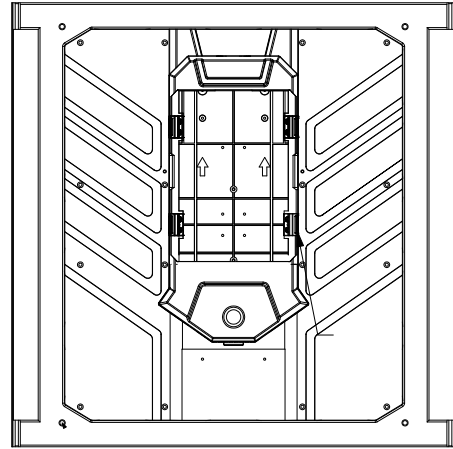
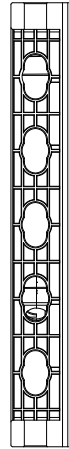
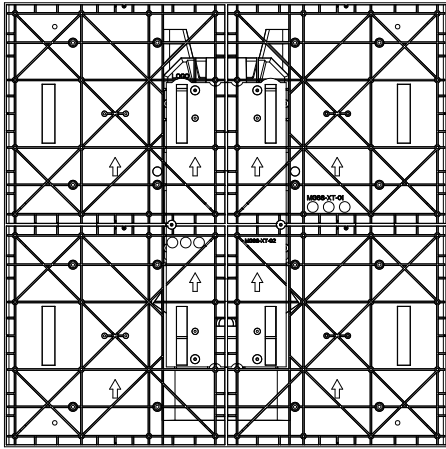




# digiled dlpi 2.84mm

Indoor LED Panel



With a pixel pitch of 2.84mm, the digiLED DLPi 2.84 LED Module offers designers a rugged, ultra-high resolution LED product. Black shell 3-in-1 SMD LEDs offer designers & content creators ultra-high definition images.

Further enhancing the user experience and reliability is the NovaStar processing for precise module-to-module calibration. The DLPi2.84 uses the NovaStar A8 receiving card that supports 18bit+ gray scale output when used with a 4K NovaStar processor. This ensures accurate color matching for an overall excellent image and greatly improved blacks and grays. DLPi 2.84 LED modules are both front or rear serviceable with power supply, processor, or components all modular for easy servicing.

### Optical

Pixel Configuration	SMD 2020
Pixel Pitch	2.84mm
Pixel Resolution (module)	176 x 176
Pixel Density (m2)	123,904 pixels
Brightness	>1,000 nits
Minimum Viewing Distance	2.84m (9.3')
Viewing Angle	H: 160° / V: 120°
Gray Scale (Maximum)	18 Bit+

### Physical

Module Height	500mm / 19.69"
Module Width	500mm / 19.69"
Module Depth	73mm / 2.9"
Module Area	0.25m2
Module Weight	5.9kg / 13 lbs
Module Weight per m2	23.6kg / 52 lbs
Maximum modules hung	N/A
Maximum modules stacked	N/A
Transparency	No

### Environmental

Indoor/Outdoor	Indoor only
Input Voltage	110V-220V AC 50/60 Hz
Average Power Consumption	233W / m2
Max. Power Consumption	700W / m2
Power Connector	Seetronic
Ingress Protection Rating	Front: IP50 Back: IP50
Temperature Range	-20°C to +50°C
Humidity	10% to 90% Non-Condensing
Average No-Failure Time	<0.00003
Life Span	>100,000 Hours
Certification	CE, FCC, ETL

### Digital

Input source	DP, DVI and HDMI
Refresh Rate	>1,920 Hz
Driving Method	1/7 Scan
Control Distance	CAT5 Cable <100m; Single Mode Fiber: <10km



301.277.3429  
hello@controlvideodc.com  
www.controlvideo.com